

PANEL

ME-DUAL PH - REDOX

Data
Sheet

DESCRIPTION

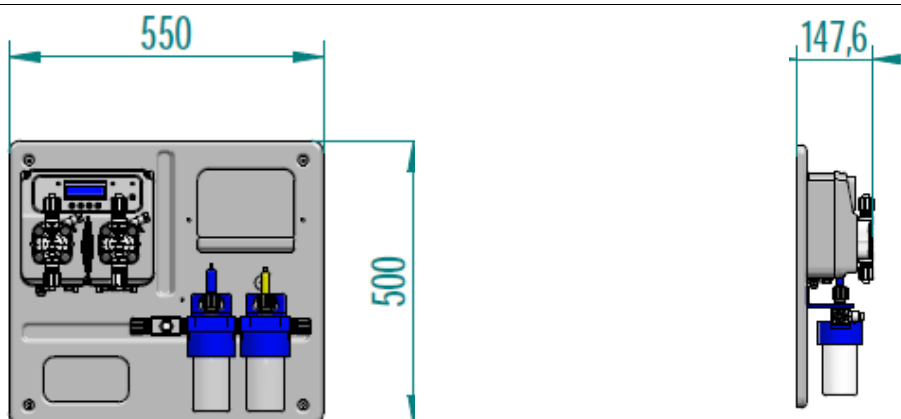
- ✓ IP 65 wired thermo-moulded panel
- ✓ MP DUAL ph/rx dosing system with built in controller. Real time on screen display of water values up to two decimals plus temperature
- ✓ Backlit display
- ✓ 50 micron washable cartridge filter with probe holder
- ✓ 4 x 6 or 8 x 12 water inlet
- ✓ Flow switch
- ✓ Overdose alarm
- ✓ Start up delay
- ✓ Password protected
- ✓ pH Stability mode for a perfect water sanification
- ✓ Flow rate display in %
- ✓ 3 functioning modes: constant, ON / OFF, proportional
- ✓ Four languages menu: ITALIANO, INGLESE, FRANCESE, SPAGNOLO
- ✓ Alarm relay(free contact)
- ✓ Default parameter restore option
- ✓ STAND_BY function
- ✓ Over/under range signal



OPTIONAL

- ✓ Flow switch
- ✓ Level switch
- ✓ Temperature probe

DIMENSIONS



Specifications subjected to change without notice

Via Maestri del Lavoro,5 - 02100 Vazia (RI) - ITALY Tel.:+ 39(0)746-229064; Fax:+ 39(0)746-221224
e-mail: info@microdos.it ; Web site: www.microdos.it

PANEL

ME-DUAL PH - REDOX

Data
Sheet

DESCRIPTION		
	Standard configuration	Upon request
Pump Head	PVDF fittings 1/2"	PP fittings 1/2"
Balls	Pyrex	Ceramica, PTFE, AISI 316
Diafraghm	PTFE	-----
Fittings	PVDF	PP
Seals	Viton®	EPDM
Valve Cartridges	PVDF 4 x 6	PP 4 x 6
Foot Filter	PVDF 4 x 6 fittings lip valve	PP 4 x 6 fittings lip valve
Injection Valve	PVDF 4 x 6 fittings ball valve	PP 4 x 6 fittings ball valve
Suction tube	PVC 4 x 6	PVDF 4 x 6
Delivery tube	PE 4 x 6	PVDF 4 x 6

TECHNICAL SPECIFICATIONS											
Standard	Max lt/h	pressure		Max cc / imp	Stroke	Solenoid	Pump Head	VA	Pulses	Weight	
		Bar	PSI							kg.	Lbs
Chlorine pump	10	02	29,4	1,11	1,3	Ø 80	PVDF	50	150	8	15,3
PH pump	05	10	145	0,55	1,1	Ø 80	PVDF	50	150		

STANDARD PROBES					
	PH				Redox
CARATTERISTICHE ELETTRODI	PRO-PH	PRO-G-PH	PRO-P-PH	PRO-H-PH	
Full Scale	0 ÷ 14	0 ÷ 14	0 ÷ 14	0 ÷ 14	0 ÷ 999
Resolution	0,01	0,01	0,01	0,01	0,1
Flow rate	40 lt / h	40 lt / h	40 lt / h	40 lt / h	40 lt / h
Body	epoxy	glass	epoxy	glass	epoxy
Electrode	platinum	platinum	platinum	platinum	platinum
Temperature	60°C	80°C	50°C	130°C	60°C
Connection	BNC	BNC	BNC	BNC	BNC
Cable lenght	1 mt	1 mt	1 mt	1 mt	1 mt
Back Pressure	2 bar	2 bar	2 bar	6 bar	2 bar

Specifications subjected to change without notice

Via Maestri del Lavoro,5 - 02100 Vazia (RI) - ITALY Tel.:+ 39(0)746-229064; Fax:+ 39(0)746-221224
e-mail: info@microdos.it ; Web site: www.microdos.it