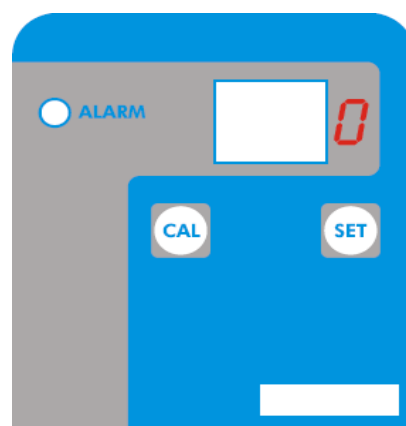


# SOLENOID PUMP ME1S-REDOX

Data  
Sheet

## DESCRIPTION

- ✓ Proportional dosing pump with built in REDOX controller
- ✓ User friendly Keyboard with just two buttons: one for the semi-automatic calibration (CAL) and one for settings (SET)
- ✓ REDOX probe automatic calibration on one point at 468 mV
- ✓ Programmable Set Point between 300 and 800 mV range
- ✓ Automatic recognition of REDOX probe efficiency
- ✓ Built in overdose alarm to avoid chemical surplus in the pool
- ✓ Easy to install and minimum maintenance required
- ✓ Reinforced PP body
- ✓ Polycarbonate front panel
- ✓ Digital display with Stand by key and 5 status led
- ✓ Pump head with Manual bleed
- ✓ IP 65 Protection Degree
- ✓ Standard Power Supply 230 Vac
- ✓ 100% Made in Italy
- ✓ CE approved



## OPTIONAL

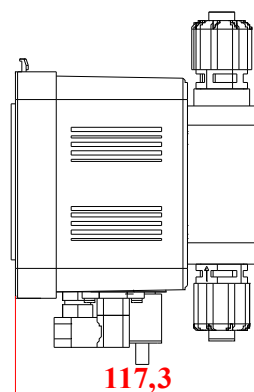
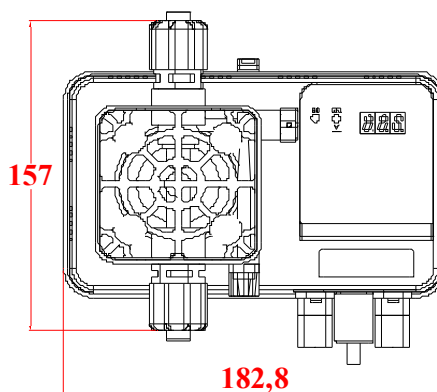
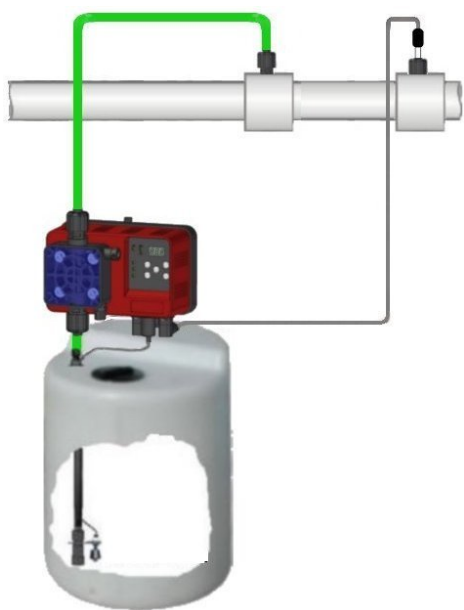
- ✓ PVDF pump head with PTFE seals (suitable to dose High Concentration Sodium Hypochlorite or strong Oxidizing agents)
- ✓ SCHUKO plug
- ✓ ON / OFF switch

DESCRIPTION		
Standard Version	Standard Material	Upon Request
Pump Head	PP 1/2"	PVDF1/2"
Balls	Pyrex	Ceramic, PTFE, AISI 316
Diaphragm	PTFE	-----
Fittings	PP	PVDF
Seals	Viton®	EPDM
Valve Body	PP 4 x 6	PVDF 4 x 6
Foot Filter	PP 4 x 6 lip valve	PVDF 4 x 6 ball valve
Injection Valve	PP 4 x 6 ball valve	PVDF 4 x 6 ball valve
Suction Tube	PVC 4 x 6	PVDF
Delivery Tube	PE 4 x 6	PVDF

# SOLENOID PUMP ME1S-REDOX

Data  
Sheet

TECHNICAL SPECIFICATIONS											
Standard	Max l/h	Pressure		Max cc / imp	Stroke	Solenoid	Pump Head	Power [Watt]	Pulses	Weight	
		Bar	PSI							kg.	Lbs
05-02	05	02	18	0,52	1,1	Ø 80	PP	50	180	3,5	6,7
10-02	10	02	29	1,04	1,3	Ø 80	PP	50	180	3,5	6,7



STANDARD KIT					
	Injection Valve	PP Foot filter with lip valve	Delivery tube 2mt PE 4x6	2mt PVC 4x6 Suction tube	1,5mt PVC 4x6 Bleed tube
STANDARD KIT	