

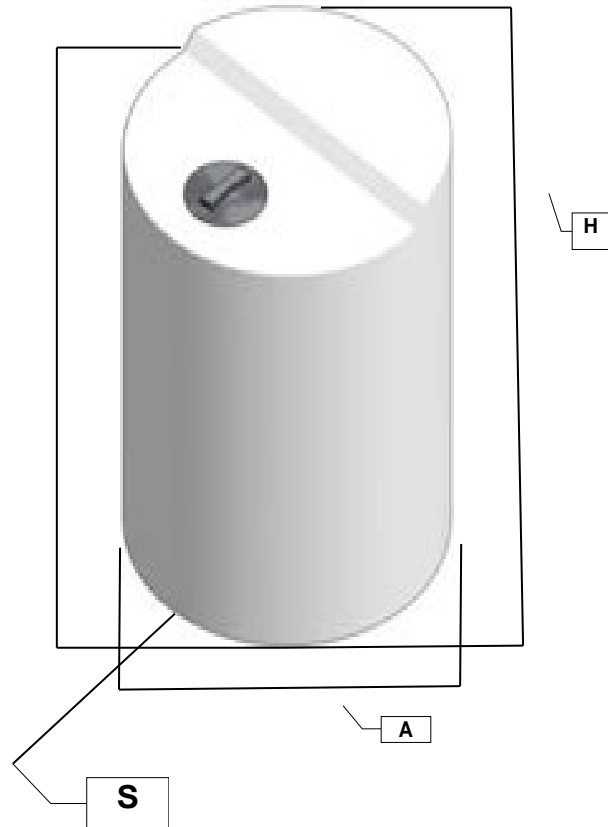
SAFETY BASINS TANKS

Data
Sheet

Cylindrical container in high density polyethylene used for metering stations and mixing of reagents with graduated level gauge.

Self-supporting flat bottom with threaded predisposition for housing a tap suitable for cleaning.

The upper part of the tank has two LEVELS for housing manual / mechanical agitators or for the use of a dosing pump.



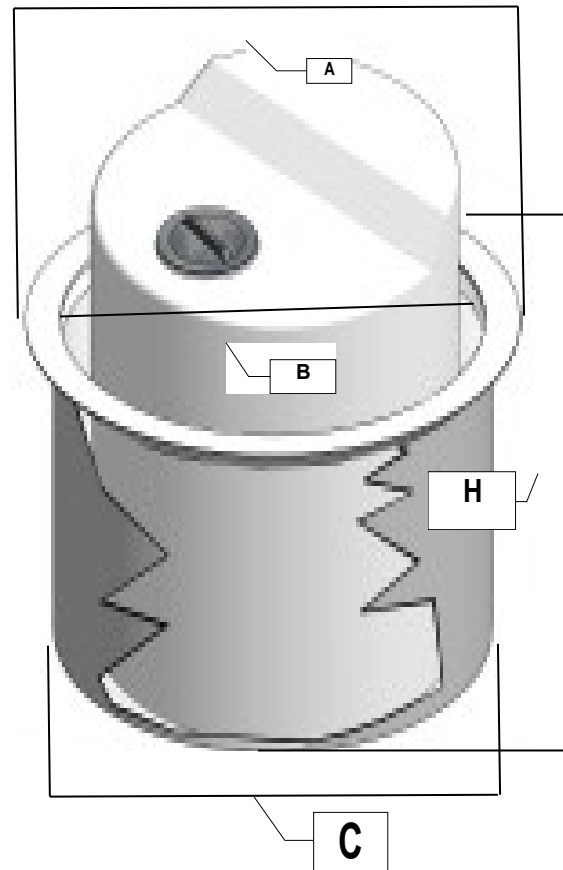
Model	Liters	A	B	H	S Drain tap
TAN 60	60	400	500	550	½" F
TAN 100	100	500	630	680	½" F
TAN 200	200	620	750	800	½" F
TAN 300	300	710	840	890	½" F
TAN 500	500	885	950	1000	1" F
TAN 1000	1000	1100	1150	1200	1" F

SAFETY BASINS TANKS

Data
Sheet

Vertical cylindrical container polyethylene self-supporting flat-bottomed, upper part open with upper edging reinforced for containers series "TAN".

Designed to be used with TAN tanks series.



Model	Liters	A	B	C	H
BAS 60	60	600	450	480	350
BAS 100	120	700	600	620	450
BAS 200	220	800	680	700	600
BAS 300	325	900	780	800	660
BAS 500	600	1050	920	930	1000
BAS 1000	1120	1350	1240	1250	1050